

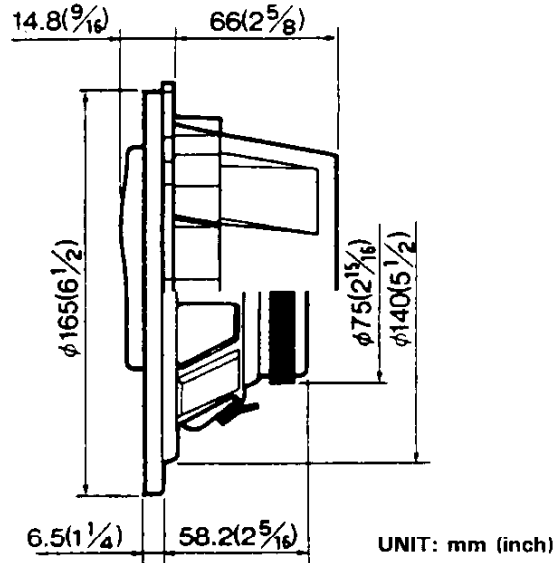
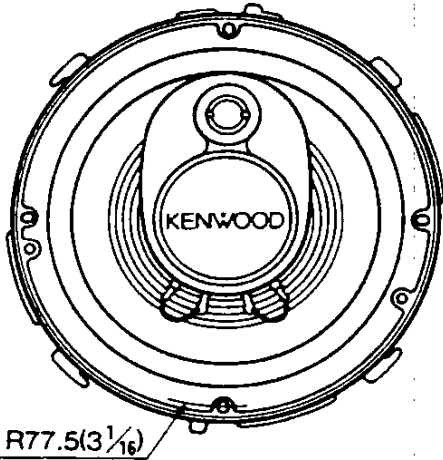
KFC-178D

SERVICE MANUAL

KENWOOD





©1989-12 PRINTED IN JAPAN
B51-6140-00(T) 1328

EXTERNAL VIEW



UNIT: mm (inch)

PARTS INCLUDED

-  $\phi 4-16 (\phi 3/16-5/8) \dots \times 16$
-  $\dots \times 8$
-  $\dots \times 8$
-  $\dots \times 2$

PARTS LIST

★ New parts
Parts without **Parts No.** are not supplied.
Les articles non mentionnés dans le **Parts No.** ne sont pas fournis.
Teile ohne **Parts No.** werden nicht geliefert.

Ref No.	New Parts	Parts No.	Description
	★	N99-1070-08	SCREW SET
		T15-0148-08	SPEAKER

SPECIFICATIONS

- Speakers
- Woofers 16.5 cm (6-1/2 in)
cone type
180 g (6.5 oz) magnet
 - Tweeter 6 cm (2-3/8 in)
cone type
 - Super Tweeter 1.6 cm (5/8 in)
ceramic type
 - Peak Power 100 Watts
 - Sensitivity 91 dB/W at 1 m
 - Impedance 4 ohms
 - Weight per speaker 780 g (1.72 lb)/pc.

(KENWOOD follows a policy of continuous advancements in development. For this reason specifications may be changed without notice.)